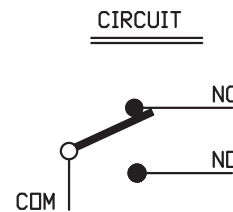
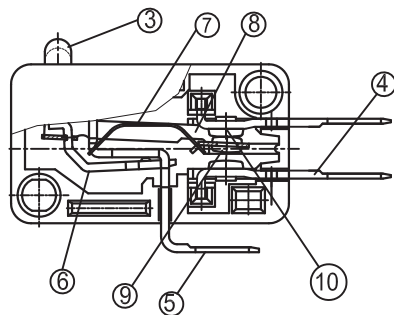
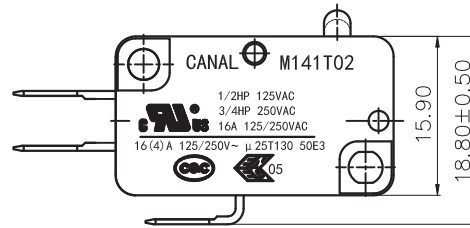
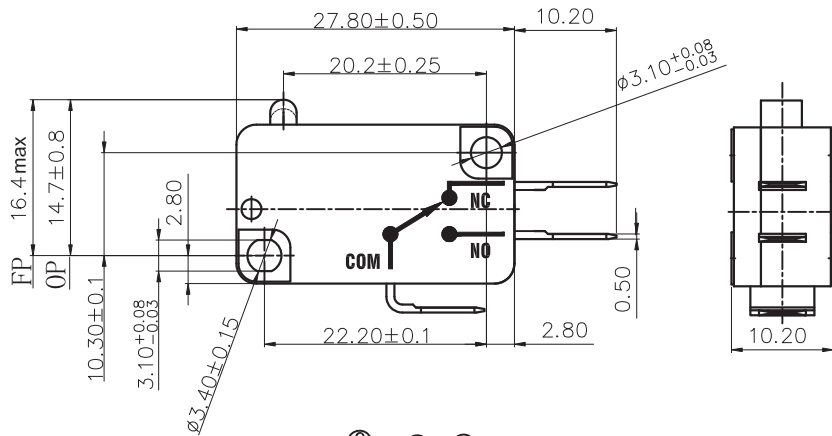
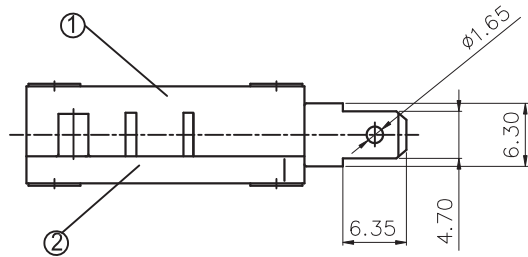


佳尼有限公司 CANAL COMPONENTS INC



ITEM	DESCRIPTION	MATERIAL
01	BASE	PBT
02	COVER	PBT
03	BUTTON	PF
04	TERMINAL	SILVER PLATE COPPER ALLOY
05	ANCHOR	SILVER PLATE COPPER ALLOY
06	SPRING	COPPER ALLOY
07	PLATE MOVING	SILVER PLATE COPPER ALLOY
08	CONTACT	Ag ALLOY
09	CONTACT	Ag ALLOY/Cu
10	TERMINAL	SILVER PLATE COPPER ALLOY

1.CHARACTERISTICS

Operating Force	160±40gf
Release Force	30gf min
Pretravel	1.6mm max
Overtravel	0.8mm min
Movement Differential	0.4mm max
Operating Posttion	14.7±0.8mm

NOTE: TOLERANCES UNLESS OTHERWISE SPECIFIED : ± .012 (mm).
0.3

REVISION	DESCRIPTION	REVISED BY	TOLERANCES	ANGLE	UNIT	mm	PART NAME	SPEC DRAWING	DWG NO
△			.X .XX	$\frac{1}{2}$					
△			DRAWN BY	Eric T	DESIGNED BY	王豐文	SCALE		
△			CHECKED BY	Jimmy	APPROVED BY		DATE	2021.01.25	PART NO
△	2021.01.25 首次出圖	Eric T						M141T02-AB16-00D	WS4652A